



Wine Cabinet
COLLECTION | 2018





CONTENTS

- 002** INTRODUCTION
- 004** PERFECTION BY THE GLASS
- 006** CARE FOR YOUR COLLECTION
- 008** FLEXIBLE FITTINGS
- 010** GET THE LOOK
- 012** WINE CABINET FEATURES
- 014** UNDERCOUNTER WINE CABINETS
- 030** IN-COLUMN WINE CABINETS
- 042** FREESTANDING WINE CABINETS
- 048** CAPLE CARE



Wine Cabinets

Caple's wine cabinets create the optimum storage conditions for your wine; the correct temperature, humidity and air circulation. They even use low vibration technology to minimise disturbance.

And of course, they look great.

PERFECTION BY THE GLASS

If you've invested a lot of time and money in your wine, you'll also want the perfect place to store it. As all wines react to their environment, a Caple wine cabinet is a must-have for anyone who wants to enjoy the full aroma and flavour of a good bottle.

We know how important a fine wine collection is, which is why our wine cabinets are specifically designed to keep it in perfect condition.

The kitchen is often at the heart of a good party. So choose a wine cabinet that's stylish, versatile and designed for the serious entertainer. Caple's wine cabinets cater for every kind of occasion, big or small.

They're packed with functionality and there's no better way of having perfectly chilled drinks to hand whenever you want them.

Our wine cabinets are also very flexible if you need space for cooling soft drinks or other cold refreshments. You can simply convert the interior by adding an optional frosted glass shelf, freeing up space in your fridge.



CARE FOR YOUR COLLECTION

THE RIGHT TEMPERATURE

TO STORE

All wine should be stored at 12-14°C whether red or white. Our cabinets simulate cellar conditions - dark, still, humid and a constant temperature.

TO SERVE

For rosés and whites it's 8-14°C, for sparkling wines it's 6-10°C. Full reds need 16-18°C, whereas lighter ones are best at 13-16°C. For some wine cabinets this temperature variation is a problem. However, Caple cabinets can offer multiple zones that keep all your wines at the perfect temperature for storing or better still, serving.

COMPRESSOR COOLING

When choosing a wine cabinet it's important to consider the type of cooling system it uses. Many conventional cabinets use thermo electric technology, which is only capable of cooling to 15°C below the room's ambient temperature. So on a warm day of 25°C the contents will only cool to a minimum of 10°C, leaving your wine exposed to potentially damaging temperatures.

Caple's wine cabinets use a compressor cooling system, which maintains precisely the right temperature, regardless of the ambient room temperature.



FINER WINE

Vibration and humidity during storage will influence how your wine will taste when it's finally poured.

That's why Caple's wine cabinets come with anti-vibration gaskets and low vibration compressors to prevent disturbance to the wine's sediment balance. Our cabinets also create an ideal atmosphere of above 65% humidity, to preserve cork quality and prevent mould and odours. You can be confident your wine is in good hands.



THE IMPORTANCE OF LIGHTING AND STACKING

Ultraviolet light causes lightstrike, which makes wine age prematurely. So it's important to avoid exposing bottles to sunlight or fluorescent light. Our white LEDs not only look great, they are also UV-free with no heat output either.

Bottles should usually be stored on their side so the wine stays in contact with the cork. This keeps the cork moist and ensures a good air seal for the bottle, which prevents oxidation and immediate ageing.

Wine benefits best from side storage if the level of the wine reaches at least the upper shoulder of the bottle when upright. Caple's wine cabinets provide sufficient shelves to allow for bottles to be stored either on a single level for easy reach, or stacked for longer storage.



STANDARD PLINTH HEIGHT



REDUCED PLINTH HEIGHT

FLEXIBLE FITTING

A unique design feature incorporated into our undercounter wine cabinets allows the height of the plinth to be adjusted between 100mm and 150mm. So, you don't have to worry about your wine cabinet fitting under your work surface as they are compatible with varying plinth heights.

[Not available on the Wi154 and Wi155].

GET THE LOOK

Stylish on the outside, intelligent on the inside, our range of wine cabinets have everything you need for entertaining.



Choose from freestanding, in-column or undercounter models, which ever suits your needs best, and for greater flexibility some come with reversible doors.

Available in a variety of sizes with a choice of single or dual temperature zones, these cabinets are whisper quiet from just 43dB[A] - there's no chance of them ruining the party atmosphere.

The UV toughened glass keeps your wine protected from the sunlight. Surrounded by precision-crafted stainless steel, black or white glass, Caple wine cabinets will co-ordinate seamlessly with your kitchen style.



IO

II

WINE CABINET FEATURES



CHAMPAGNE SHELVES

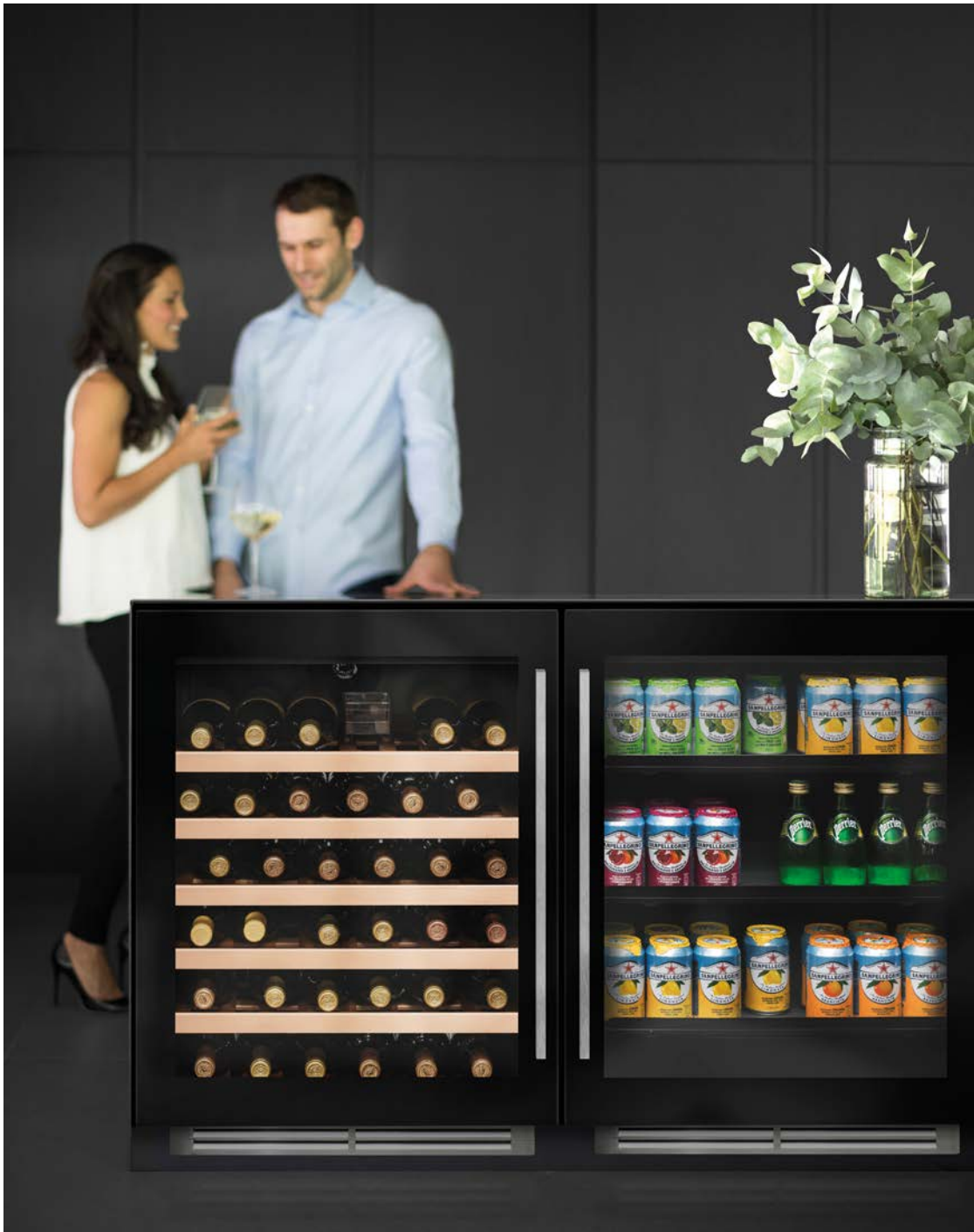
The easy-slide beech shelves are non-scratch so they won't damage bottle labels. If champagne is your drink of choice, the slatted design allows you to store larger bottles so you're prepared for any special occasion.



KITCHEN PLINTH

Stylish, stainless steel, plinth grilles can be used with any undercounter wine cabinets. They neatly cover the ventilation hole in the plinth and blend in with your kitchen décor.

[Supplied with all undercounter models
except Wi154 and Wi155.]



DUAL ZONE

Dual zone wine cabinets allow you to store your collection at the perfect temperature for storing and drinking.

TOUCH CONTROL
.....
WHITE LED DISPLAY

GLASS SHELVES

The three pack of glass shelves allows you to convert some of your wine cabinet into storage for canned drinks.

UNDERCOUNTER WINE CABINETS





Sense Undercounter Dual Zone Wine Cabinet

PRODUCT CODE

Wi6134


DIMENSIONS

← w:595mm

FINISH AVAILABLE

Black Glass

PERFORMANCE

-  - Energy Class B
- Energy consumption 198kWh/yr
- Ambient temperature 16°C-32°C
- Temperature range upper zone 5°C-10°C, lower zone 10°C-18°C
- Humidity range >65%RH
- Quiet operation 43dB[A]

FEATURES

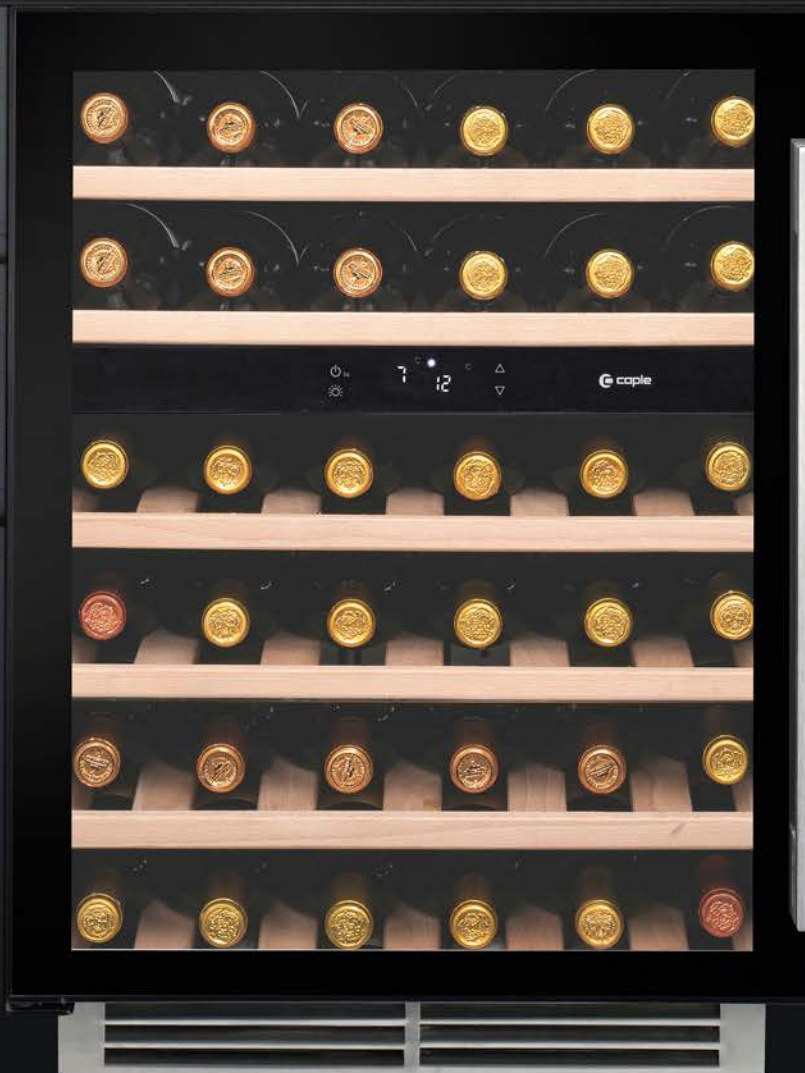
- Fan circulated cool air for even temperature distribution
- Heater raises internal temperature when external temperature drops
- Reversible door
- White wine zone has 2 sliding shelves
- Red wine zone has 3 sliding shelves and 1 base shelf
- Toughened UV protected glass door
- 2 Humidity control water tanks
- 100% CFC/HFC free
- Black cabinet interior and exterior
- Recessed for fitting furniture plinth
- Supplied with stainless steel universal plinth grille w:525mm

CAPACITY

- 4.73 Cu Ft/134 Litre total net capacity
- 5.79 Cu ft/164 Litre total gross capacity
- Stores max. 46 Bordeaux style wine bottles 750ml [16 white and 30 red bottles]
- Bottle stacking diagrams available at caple.co.uk

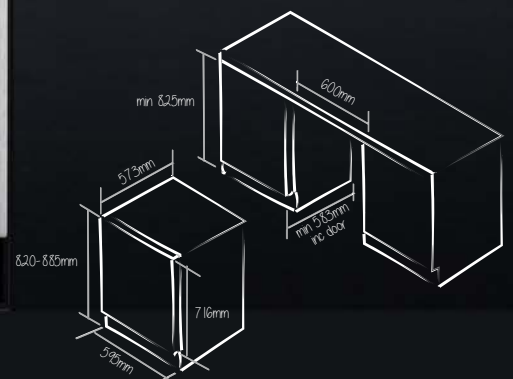
OPTIONAL EXTRAS

- Full height stainless steel grille with fixing brackets [GRILL/CLASS601]
- Alternative black-spot bar handle [HANDLE3]
- Visit caple.co.uk for full range



KEY FEATURES

- No-frost compressor cooling technology maintains a consistent temperature
- Dual stacked temperature zones, independently controlled [upper zone white wine, lower zone red wine]
- Touch control and LED display
- UV/heat-free white LED lighting [switchable]
- Vibration free
- Adjustable height to fit 100-150mm plinth
- Black glass door with gloss black door frame
- Stainless steel square handle
- Beech shelves





Classic Undercounter Dual Zone Wine Cabinet



KEY FEATURES

- No-frost compressor cooling technology maintains a consistent temperature
- Dual stacked temperature zones, independently controlled [upper zone white wine, lower zone red wine]
- Touch control
- UV/heat-free white LED lighting [switchable]
- Vibration free
- Adjustable height to fit 100-150mm plinth
- One piece stainless steel door
- Stainless steel square handle
- Beech shelves

PRODUCT CODE

Wi6133

DIMENSIONS

↔ w:595mm

FINISH AVAILABLE

Stainless Steel

PERFORMANCE

- Energy Class B
- Energy consumption 198kWh/yr
- Ambient temperature 16°C-32°C
- Temperature range upper zone 5°C-10°C, lower zone 10°C-18°C
- Humidity range >65%RH
- Quiet operation 43dB[A]

FEATURES

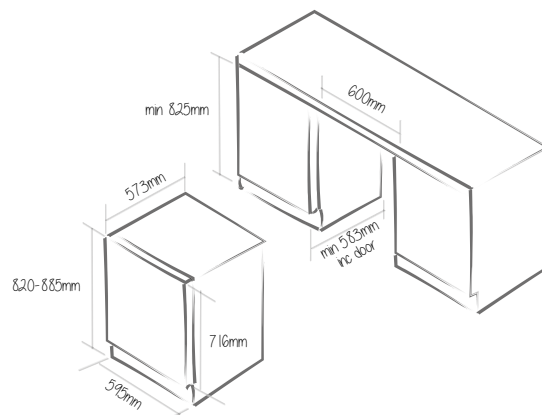
- Fan circulated cool air for even temperature distribution
- Heater raises internal temperature when external temperature drops
- Reversible door
- White wine zone has 2 sliding shelves
- Red wine zone has 3 sliding shelves and 1 base shelf
- Toughened UV protected glass door
- 2 Humidity control water tanks
- 100% CFC/HFC free
- Black cabinet interior and exterior
- Recessed for fitting furniture plinth
- Air ventilation through plinth grille
- Supplied with stainless steel universal plinth grille w:525mm

CAPACITY

- 4.73 Cu Ft/134 Litre total net capacity
 - 5.79 Cu ft/164 Litre total gross capacity
 - Stores max. 46 Bordeaux style wine bottles 750ml [16 white and 30 red bottles]
- Bottle stacking diagrams available at cagle.co.uk

OPTIONAL EXTRAS

- Alternative curved handle [HANDLE4]
- Visit cagle.co.uk for full range





Sense Undercounter Dual Zone Wine Cabinet



KEY FEATURES

- No-frost compressor cooling technology maintains a consistent temperature
- Dual stacked temperature zones, independently controlled [upper zone white wine, lower zone red wine]
- Electronic temp control and LED display
- UV/heat-free white LED lighting [switchable]
- Vibration free
- Adjustable height to fit 100-150mm plinth
- White glass door with white door frame
- Stainless steel square handle and black-spot bar handle
- Stainless steel fronted beech shelves

PRODUCT CODE

Wi6132WH

DIMENSIONS

↔ w:595mm

FINISH AVAILABLE

White Glass

PERFORMANCE

- Energy Class B
- Energy consumption 198kWh/yr
- Ambient temperature 16°C-32°C
- Temperature range upper zone 5°C-10°C, lower zone 10°C-18°C
- Humidity range >65%RH
- Quiet operation 43dB[A]

FEATURES

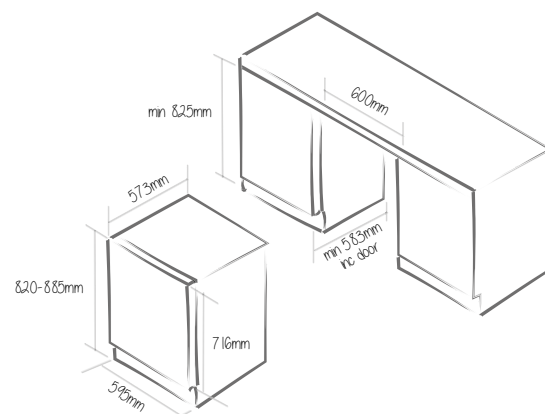
- Fan circulated cool air for even temperature distribution
- Heater raises internal temperature when external temperature drops
- Reversible door
- White wine zone has 2 sliding shelves
- Red wine zone has 3 sliding shelves and 1 base shelf
- Toughened UV protected glass door
- 2 Humidity control water tanks
- 100% CFC/HFC free
- Black cabinet interior and exterior
- Recessed for fitting furniture plinth
- Air ventilation through plinth grille
- Supplied with stainless steel universal plinth grille w:525mm

CAPACITY

- 4.73 Cu Ft/134 Litre total net capacity
 - 5.79 Cu ft/164 Litre total gross capacity
 - Stores max. 46 Bordeaux style wine bottles 750ml [16 white and 30 red bottles]
- Bottle stacking diagrams available at cagle.co.uk

OPTIONAL EXTRAS

- Full height stainless steel grille with fixing brackets [GRILL/CLASS601]
- Visit cagle.co.uk for full range



Sense Undercounter Dual Zone Wine Cabinet



KEY FEATURES

- No-frost compressor cooling technology maintains a consistent temperature
- Dual side-by-side temperature zones, independently controlled [both zones suitable for either red or white wine]
- Touch control and LED display
- Converts into a can chiller using optional glass shelving
- UV/heat-free white LED lighting [switchable]
- Vibration free
- Adjustable height to fit 100-150mm plinth
- Black glass doors with gloss black door frame
- Stainless steel square handles
- Beech shelves

PRODUCT CODE

Wi6233

DIMENSIONS

↔ w:595mm

FINISH AVAILABLE

■ Black Glass

PERFORMANCE

- Energy Class B
- Energy consumption 195kWh/yr
- Ambient temperature 16°C-32°C
- Temperature range 5°C-18°C [both zones]
- Humidity range >65%RH
- Quiet operation 43dB[A]

FEATURES

- Fan circulated cool air for even temperature distribution
- 5 Sliding shelves and 1 base shelf per zone
- Toughened UV protected glass door
- 2 Humidity control water tanks
- 100% CFC/HFC free
- Black cabinet interior and exterior
- Recessed for fitting furniture plinth
- Air ventilation through plinth grille
- Supplied with stainless steel universal plinth grille w:525mm

CAPACITY

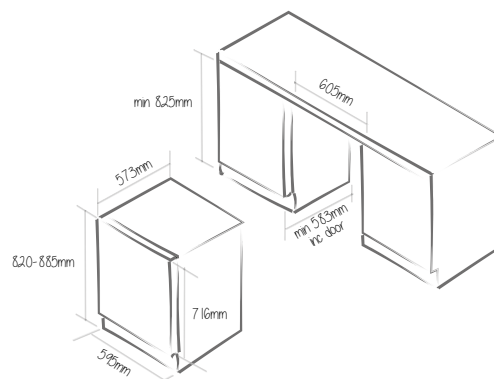
- 4.20 Cu ft/119 Litre total net capacity
- 4.73 Cu ft/134 Litre total gross capacity
- Stores max. 38 Bordeaux style wine bottles 750ml [19 bottles per zone]

Bottle stacking diagrams available at caple.co.uk

OPTIONAL EXTRAS

- 3 Frosted glass shelves with black plastic trim [GSHELFPACK/300]
- Full height stainless steel grille with fixing brackets [GRILL/CLASS601]
- Alternative black-spot handle [HANDLE3]

Visit caple.co.uk for full range



Classic Undercounter Dual Zone Wine Cabinet



20

21

KEY FEATURES

- No-frost compressor cooling technology maintains a consistent temperature
- Dual side-by-side temperature zones, independently controlled [both zones suitable for either red or white wine]
- Touch control and LED display
- Converts into a can chiller using optional glass shelving
- UV/heat-free white LED lighting [switchable]
- Vibration free
- Adjustable height to fit 100-150mm plinth
- One piece stainless steel doors
- Stainless steel square handles per zone
- Beech shelves

PRODUCT CODE

Wi6232

DIMENSIONS

↔ w:595mm

FINISH AVAILABLE

■ Stainless Steel

PERFORMANCE

- Energy Class B
- Energy consumption 195kWh/yr
- Ambient temperature 16°C-32°C
- Temperature range 5°C-18°C [both zones]
- Humidity range >65%RH
- Quiet operation 43dB[A]

FEATURES

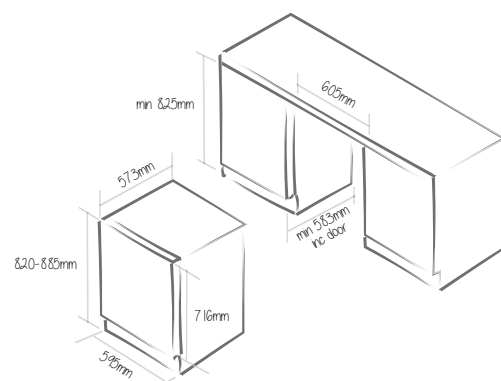
- Fan circulated cool air for even temperature distribution
- 5 Sliding shelves and 1 base shelf per zone
- Toughened UV protected glass door
- 2 Humidity control water tanks
- 100% CFC/HFC free
- Black cabinet interior and exterior
- Recessed for fitting furniture plinth
- Air ventilation through plinth grille
- Supplied with both stainless steel universal plinth grille w:525mm and full width grille

CAPACITY

- 4.20 Cu ft/119 Litre total net capacity
 - 4.73 Cu ft/134 Litre total gross capacity
 - Stores max. 38 Bordeaux style wine bottles 750ml [19 bottles per zone]
- Bottle stacking diagrams available at cagle.co.uk

OPTIONAL EXTRAS

- 3 Frosted glass shelves with black plastic trim [GSHELFPACK/300]
 - Alternative curved handle [HANDLE4]
- Visit cagle.co.uk for full range





Sense Undercounter Single Zone Wine Cabinet

KEY FEATURES

- No-frost compressor cooling technology maintains a consistent temperature
- Single temperature zone stores either red or white wine
- Touch controls and LED display
- Converts into a can chiller using optional glass shelving
- UV/heat-free white LED lighting [switchable]
- Vibration free
- Adjustable height to fit 100-150mm plinth
- Black glass door with gloss black door frame
- Stainless steel square handle
- Beech shelves

PRODUCT CODE

Wi6141

DIMENSIONS

↔ w:595mm

FINISH AVAILABLE

■ Black Glass

PERFORMANCE

- Energy Class A
- Energy consumption 145kWh/yr
- Ambient temperature 16°C-32°C
- Temperature range 5°C-18°C
- Humidity range >65%RH
- Quiet operation 43dB[A]

FEATURES

- Fan circulated cool air for even temperature distribution
- Reversible door
- 5 Sliding shelves and 1 base shelf
- Toughened UV protected glass door
- 1 Humidity control water tanks
- 100% CFC/HFC free
- Black cabinet interior and exterior
- Recessed for fitting furniture plinth
- Air ventilation through plinth grille
- Supplied with stainless steel universal plinth grille w:525mm

CAPACITY

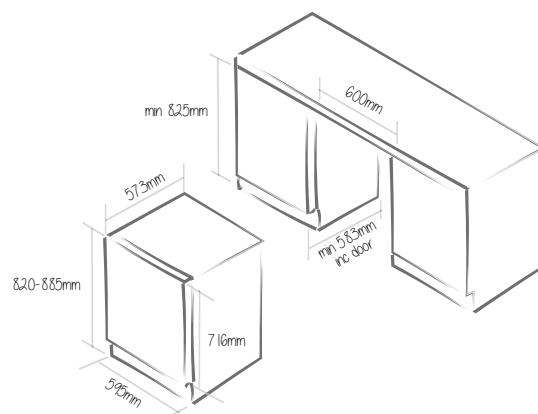
- 5.15 Cu Ft/146 Litre total net capacity
- 5.79 Cu ft/164 Litre total gross capacity
- Stores max. 52 Bordeaux style wine bottles 750ml [8 bottles per sliding shelf, 6 bottles on base shelf, 14 on top shelf]

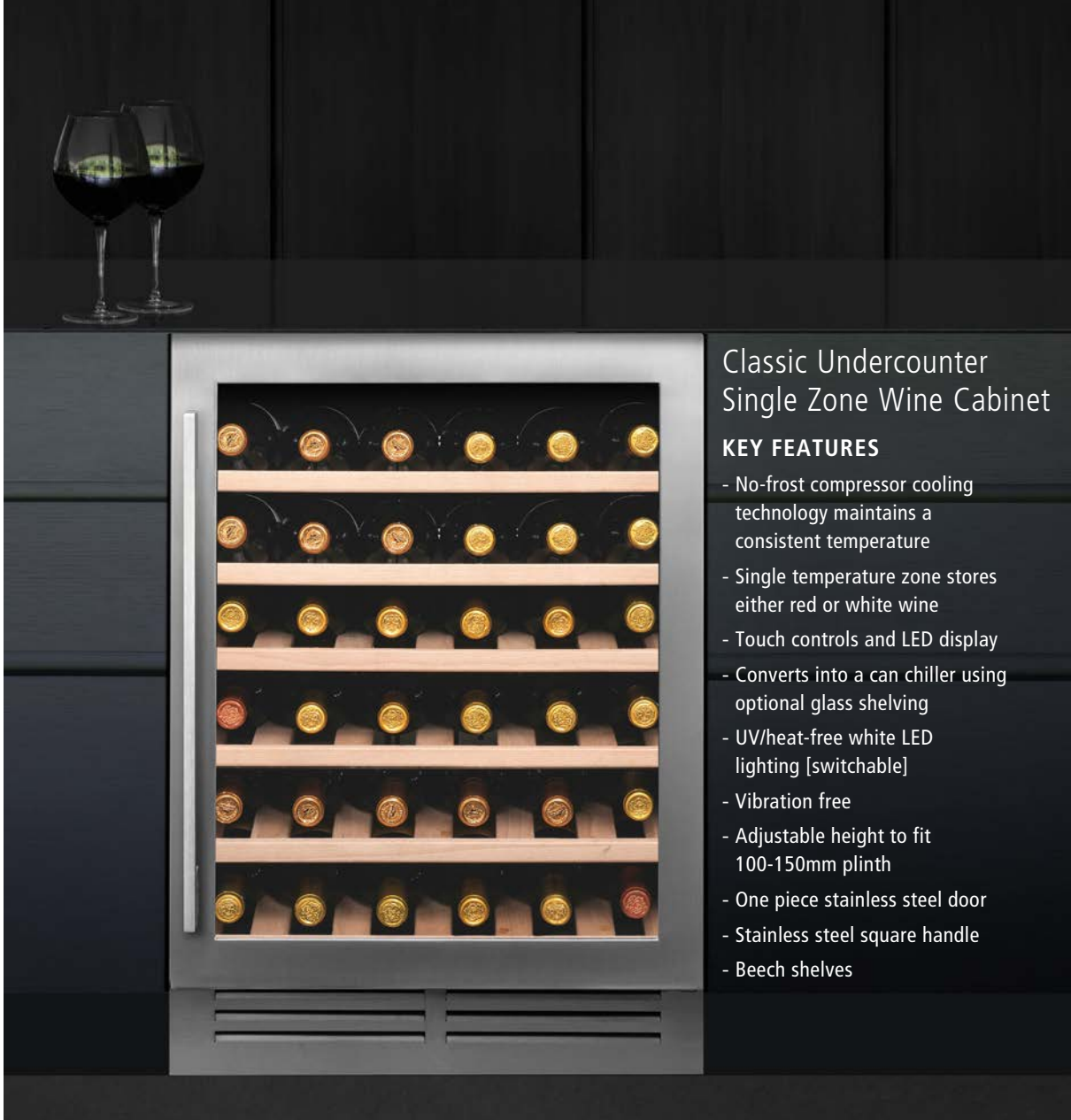
Bottle stacking diagrams available at cagle.co.uk

OPTIONAL EXTRAS

- 3 Frosted glass shelves with black plastic trim [GSHELFPACK/600]
- Full height stainless steel grille with fixing brackets [GRILL/CLASS601]
- Alternative black-spot bar handle [HANDLE3]

Visit cagle.co.uk for full range





Classic Undercounter Single Zone Wine Cabinet

KEY FEATURES

- No-frost compressor cooling technology maintains a consistent temperature
- Single temperature zone stores either red or white wine
- Touch controls and LED display
- Converts into a can chiller using optional glass shelving
- UV/heat-free white LED lighting [switchable]
- Vibration free
- Adjustable height to fit 100-150mm plinth
- One piece stainless steel door
- Stainless steel square handle
- Beech shelves

22

23

PRODUCT CODE

Wi6140

DIMENSIONS

↔ w:595mm

FINISH AVAILABLE

■ Stainless Steel

PERFORMANCE

- Energy Class A
- Energy consumption 145kWh/yr
- Ambient temperature 16°C-32°C
- Temperature range 5°C-18°C
- Humidity range >65%RH
- Quiet operation 43dB[A]

FEATURES

- Fan circulated cool air for even temperature distribution
- Reversible door
- 5 Sliding shelves and 1 base shelf
- Toughened UV protected glass door
- 1 Humidity control water tanks
- 100% CFC/HFC free
- Black cabinet interior and exterior
- Recessed for fitting furniture plinth
- Air ventilation through plinth grille
- Supplied with stainless steel universal plinth grille w:525mm and full width grille

CAPACITY

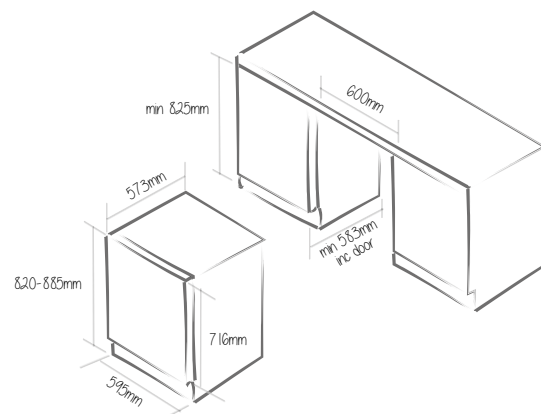
- 5.15 Cu Ft/146 Litre total net capacity
- 5.79 Cu ft/164 Litre total gross capacity
- Stores max. 52 Bordeaux style wine bottles 750ml [8 bottles per sliding shelf, 6 bottles on base shelf, 14 on top shelf]

Bottle stacking diagrams available at cagle.co.uk

OPTIONAL EXTRAS



- 3 Frosted glass shelves with black plastic trim [GSHELFPACK/600]
- Alternative curved handle [HANDLE4]


Visit cagle.co.uk for full range



PRODUCT CODE

Wi3123

DIMENSIONS
 w:295mm
FINISH AVAILABLE
 Stainless Steel
PERFORMANCE

-  - Energy Class A
- Energy consumption 140kWh/yr
- Ambient temperature 16°C-32°C
- Temperature range 5°C-18°C
- Humidity range >65%RH
- Quiet operation 43dB[A]

FEATURES

- Fan circulated cool air for even temperature distribution
- Reversible door
- 5 Sliding shelves and 1 base shelf
- Toughened UV protected glass door
- 1 Humidity control water tank
- 100% CFC/HFC free
- Black cabinet interior and exterior
- Recessed for fitting furniture plinth
- Air ventilation through plinth grille
- Supplied with stainless steel universal plinth grille w:230mm and full width grille

CAPACITY

- 1.98 Cu Ft/56 Litre total net capacity
- 2.33 Cu ft/66 Litre total gross capacity
- Stores max. 19 Bordeaux style wine bottles 750ml
- Bottle stacking diagrams available at caple.co.uk

OPTIONAL EXTRAS

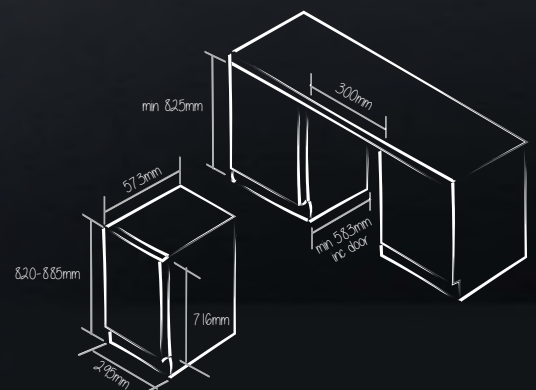
- 3 Frosted glass shelves with black plastic trim [GSHELFPACK/300]
 - Full height stainless steel grille with fixing brackets [GRILL/CLASS301]
 - Alternative curved handle [HANDLE4]
- Visit caple.co.uk for full range



Classic Undercounter Single Zone Wine Cabinet

KEY FEATURES

- No-frost compressor cooling technology maintains a consistent temperature
- Single temperature zone stores either red or white wine
- Touch control and LED display
- Converts into a can chiller using optional glass shelving
- UV/heat-free white LED lighting [switchable]
- Vibration free
- Adjustable height to fit 100-150mm plinth
- One piece stainless steel door
- Stainless steel square handle
- Beech shelves





KEY FEATURES

- No-frost compressor cooling technology maintains a consistent temperature
- Single temperature zone stores either red or white wine
- Touch control and LED display
- Converts into a can chiller using optional glass shelving
- UV/heat-free white LED lighting [switchable]
- Vibration free
- Adjustable height to fit 100-150mm plinth
- Black glass door with gloss black door frame
- Stainless steel square handle
- Beech shelves

Sense Undercounter Single Zone Wine Cabinet



PRODUCT CODE

Wi3124

DIMENSIONS

↔ w:295mm

FINISH AVAILABLE

■ Black Glass

PERFORMANCE

- Energy Class A
- Energy consumption 140kWh/yr
- Ambient temperature 16°C-32°C
- Temperature range 5°C-18°C
- Humidity range >65%RH
- Quiet operation 43dB[A]

FEATURES

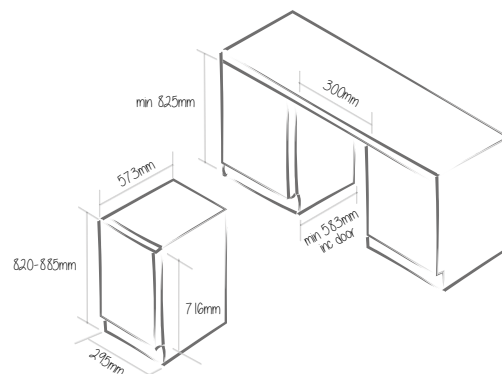
- Fan circulated cool air for even temperature distribution
- Reversible door
- 5 Sliding shelves and 1 base shelf
- Toughened UV protected glass door
- 1 Humidity control water tank
- 100% CFC/HFC free
- Black cabinet interior and exterior
- Recessed for fitting furniture plinth
- Air ventilation through plinth grille
- Supplied with stainless steel universal plinth grille w:230mm

CAPACITY

- 1.98 Cu Ft/56 Litre total net capacity
 - 2.33 Cu ft/66 Litre total gross capacity
 - Stores max. 19 Bordeaux style wine bottles 750ml
- Bottle stacking diagrams available at caple.co.uk

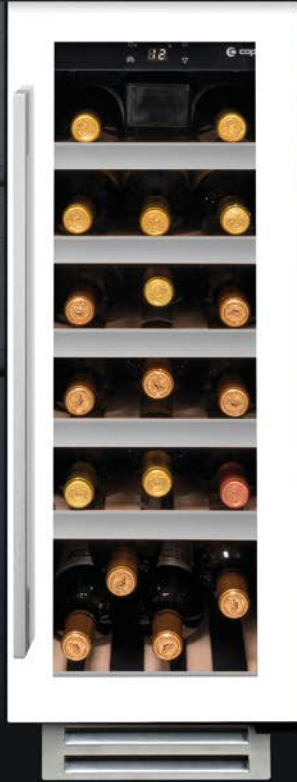
OPTIONAL EXTRAS

- 3 Frosted glass shelves with black plastic trim [GSHELFPACK/300]
 - Full height stainless steel grille with fixing brackets [GRILL/CLASS301]
 - Alternative black-spot bar handle [HANDLE3]
- Visit caple.co.uk for full range





Classic Undercounter Single Zone Wine Cabinet



KEY FEATURES

- No-frost compressor cooling technology maintains a consistent temperature
- Single temperature zone stores either red or white wine
- Electronic temperature control and LED display
- Converts into a can chiller using optional glass shelving
- UV/heat-free white LED lighting [switchable]
- Vibration free
- Adjustable height to fit 100-150mm plinth
- White glass door with gloss white door frame
- Stainless steel square handle and black-spot bar handle
- Stainless steel fronted beech shelves

26
27

PRODUCT CODE

Wi3122WH

DIMENSIONS

↔ w:295mm

FINISH AVAILABLE

White Glass

PERFORMANCE

- Energy Class B
- Energy consumption 190kWh/yr
- Ambient temperature 16°C-32°C
- Temperature range 5°C-18°C
- Humidity range >65%RH
- Quiet operation 43dB[A]

FEATURES

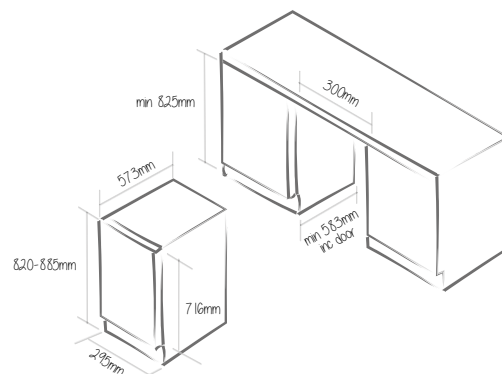
- Fan circulated cool air for even temperature distribution
- Reversible door
- 5 Sliding shelves and 1 base shelf
- Toughened UV protected glass door
- 1 Humidity control water tank
- 100% CFC/HFC free
- Black cabinet interior and exterior
- Recessed for fitting furniture plinth
- Air ventilation through plinth grille
- Supplied with stainless steel universal plinth grille w:230mm

CAPACITY

- 2.12 Cu Ft/60 Litre total net capacity
 - 2.33 Cu ft/66 Litre total gross capacity
 - Stores max. 19 Bordeaux style wine bottles 750ml
- Bottle stacking diagrams available at caple.co.uk

OPTIONAL EXTRAS

- 3 Frosted glass shelves with black plastic trim [GSHELFPACK/300]
 - Full height stainless steel grille with fixing brackets [GRILL/CLASS301]
- Visit caple.co.uk for full range





Sense Undercounter Single Zone Wine Cabinet

KEY FEATURES

- No-frost compressor cooling technology maintains a consistent temperature
- Single temperature zone stores either red or white wine
- Electronic temperature control and LED display
- UV/heat-free white LED lighting [switchable]
- Vibration free
- Black glass door with gloss black door frame
- Stainless steel, black-spot feature bar handle

PRODUCT CODE

Wi154

DIMENSIONS

↔ w:145mm

FINISH AVAILABLE

■ Black Glass

PERFORMANCE

- Energy Class B
- Energy consumption 185kWh/yr
- Ambient temperature 16°C-32°C
- Temperature range 5°C-18°C
- Humidity range >65%RH
- Quiet operation 44dB[A]

FEATURES

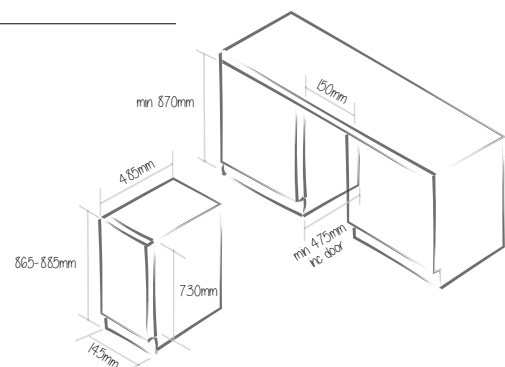
- Fan circulated cool air for even temperature distribution
- Reversible door
- 6 Black wire shelves and 1 base shelf
- 100% CFC/HFC free
- Toughened UV protected glass door
- Black cabinet interior and exterior
- Air ventilation through plinth grille

CAPACITY

- 0.67 Cu ft/19 Litre total net capacity
 - 0.78 Cu ft/22 Litre total gross capacity
 - Stores max. 7 Bordeaux style wine bottles 750ml
 - Not suitable for some champagne bottles
- Bottle stacking diagrams available at caple.co.uk

OPTIONAL EXTRAS

- Square stainless steel handle [HANDLE7]
- Visit caple.co.uk for full range





Classic Undercounter Single Zone Wine Cabinet

KEY FEATURES

- No-frost compressor cooling technology maintains a consistent temperature
- Single temperature zone stores either red or white wine
- Electronic temperature control and LED display
- UV/heat-free white LED lighting [switchable]
- Vibration free
- One piece stainless steel door
- Curved stainless steel handle

PRODUCT CODE

Wi155

DIMENSIONS

↔ w:145mm

FINISH AVAILABLE

■ Stainless Steel

PERFORMANCE

- Energy Class B
- Energy consumption 185kWh/yr
- Ambient temperature 16°C-32°C
- Temperature range 5°C-18°C
- Humidity range >65%RH
- Quiet operation 44dB[A]

FEATURES

- Fan circulated cool air for even temperature distribution
- Reversible door
- 6 Black wire shelves and 1 base shelf
- 100% CFC/HFC free
- Toughened UV protected glass door
- Black cabinet interior and exterior
- Air ventilation through plinth grille

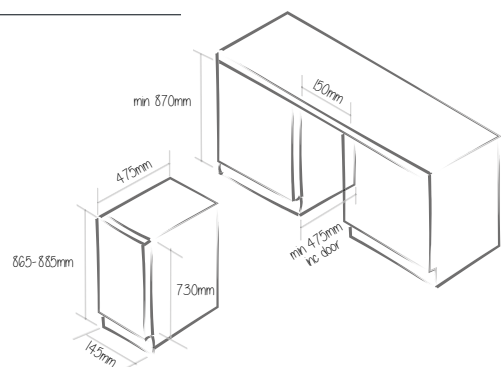
CAPACITY

- 0.67 Cu ft/19 Litre total net capacity
 - 0.78 Cu ft/22 Litre total gross capacity
 - Stores max. 7 Bordeaux style wine bottles 750ml
 - Not suitable for some champagne bottles
- Bottle stacking diagrams available at cagle.co.uk

OPTIONAL EXTRAS

- Square stainless steel handle [HANDLE8]

Visit cagle.co.uk for full range





IN-COLUMN WINE CABINETS

30

31




Sense In-Column Triple Zone Wine Cabinet


PRODUCT CODE

WC1795


DIMENSIONS

 h:1788mm

FINISH AVAILABLE

 Black Glass

PERFORMANCE

-  - Energy Class B
- Energy consumption 216kWh/yr
- Ambient temperature 16°C-32°C
- Temperature range upper zone 5°C-18°C, middle zone 5°C-10°C, lower zone 10°C-18°C
- Humidity range >65%RH
- Quiet operation 45dB[A]

FEATURES

- 2 Heaters raise internal temperature when external temperature drops
- Reversible door
- Upper zone has 2 sliding shelves and 1 display shelf
- Middle zone has 3 sliding shelves and 1 display shelf
- Lower zone has 3 sliding shelves and 1 base shelf
- 100% CFC/HFC free
- Toughened UV protected glass door
- 3 Humidity control water tanks
- Supplied with stainless steel universal plinth grille w:525mm
- Air ventilation through plinth grille
- Black cabinet interior and stainless steel back panel
- Double stacked shelves

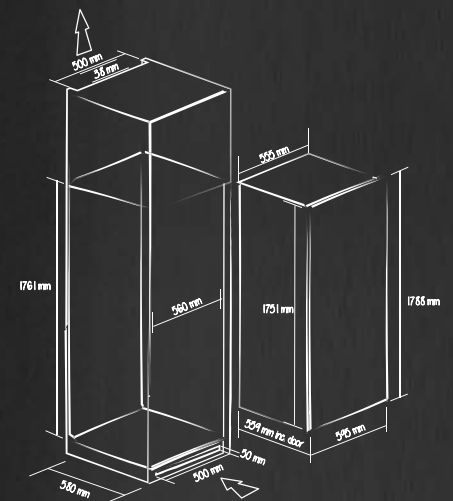
CAPACITY

- 8.69 Cu ft/246 Litre total net capacity
 - 10.14 Cu ft/287 Litre total gross capacity
 - Stores max. 89 Bordeaux style wine bottles 750ml [29 bottles on upper zone, 25 bottles on middle zone and 35 bottles on lower zone]
- Bottle stacking diagrams available at cuple.co.uk

OPTIONAL EXTRAS

- Alternative black-spot handle [HANDLE3]
- Curved stainless steel handle [HANDLE4]
- Square stainless steel handle [HANDLE 7 shown]

Visit cuple.co.uk for full range



KEY FEATURES

- No-frost compressor cooling technology maintains a consistent temperature
- Triple stacked temperature zones for red or white wine, independently controlled
- Electronic temperature control and LED display
- Fan circulated cool air for even temperature distribution
- UV/heat-free white LED lighting [switchable]
- Vibration free
- Black glass door with black gloss frame
- Black gloss interior and stainless steel back panel
- Square stainless steel handle
- Telescopic beech shelves
- High temperature alarm




Classic In-Column Triple Zone Wine Cabinet

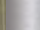
PRODUCT CODE

WC179


DIMENSIONS

 h:1788mm

FINISH AVAILABLE

 Stainless Steel

PERFORMANCE

-  - Energy Class B
- Energy consumption 216kWh/yr
- Ambient temperature 16°C-32°C
- Temperature range upper zone 5°C-18°C, middle zone 5°C-10°C, lower zone 10°C-18°C
- Humidity range >65%RH
- Quiet operation 45dB[A]

FEATURES

- 2 Heaters raise internal temperature when external temperature drops
- Reversible door
- Upper zone has 2 sliding shelves and 1 display shelf
- Middle zone has 3 sliding shelves and 1 display shelf
- Lower zone has 3 sliding shelves and 1 base shelf
- 100% CFC/HFC free
- Toughened UV protected glass door
- 3 Humidity control water tanks
- Supplied with stainless steel universal plinth grille w:525mm
- Air ventilation through plinth grille
- Black cabinet interior and stainless steel back panel
- Double stacked shelves

CAPACITY

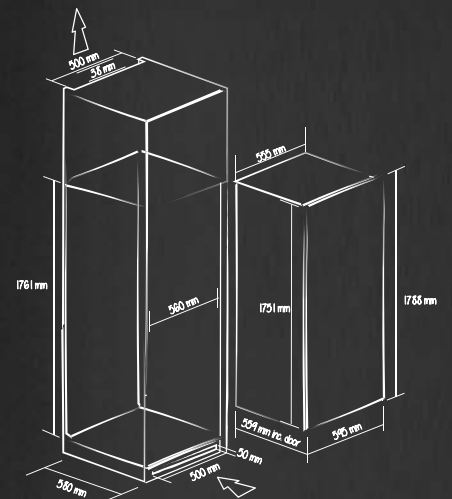
- 8.69 Cu ft/246 Litre total net capacity
- 10.14 Cu ft/287 Litre total gross capacity
- Stores max. 89 Bordeaux style wine bottles 750ml [29 bottles on upper zone, 25 bottles on middle zone and 35 bottles on lower zone]

Bottle stacking diagrams available at caple.co.uk

OPTIONAL EXTRAS

- Stainless steel furniture doors which can be used with integrated refrigeration [go to caple.co.uk] Dimensions: 1788 x 595 x 20mm [SSDOOR177]
- Alternative black-spot handle [HANDLE3]
- Curved stainless steel handle [HANDLE4]
- Square stainless steel handle [HANDLE 8 shown]

Visit caple.co.uk for full range



KEY FEATURES

- No-frost compressor cooling technology maintains a consistent temperature
- Triple stacked temperature zones for red or white wine, independently controlled
- Electronic temperature control and LED display
- Fan circulated cool air for even temperature distribution
- UV/heat-free white LED lighting [switchable]
- Vibration free
- One piece stainless steel door
- Black gloss interior and stainless steel back panel
- Supplied with both square and curved stainless steel handle
- Stainless steel telescopic beech shelves
- High temperature alarm





PRODUCT CODE

WC6520

DIMENSIONS

h:886mm

FINISH AVAILABLE

Black Glass

PERFORMANCE

- Energy Class B
- Energy consumption 198kWh/yr
- Ambient temperature 16°C-32°C
- Temperature range upper zone 5°C-10°C, lower zone 10°C-18°C
- Humidity range >65%RH
- Quiet operation 45dB[A]

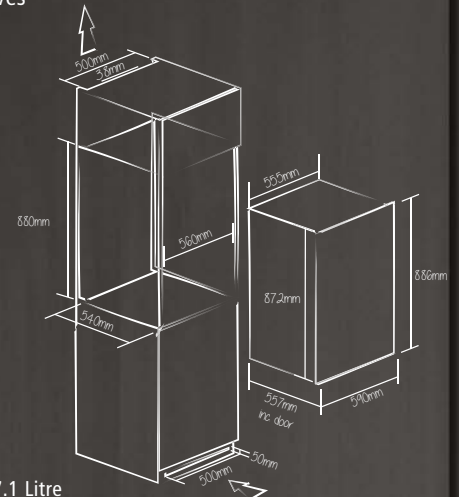
FEATURES

- Fan circulated cool air for even temperature distribution
- Heater raises internal temperature when external temperature drops
- Reversible door
- White wine zone has 3 sliding shelves
- 100% CFC/HFC free
- Red wine zone has 3 sliding shelves and 1 sliding base shelf
- Toughened UV protected glass door
- 2 Humidity control water tanks
- Black cabinet interior and exterior
- Audible door alarm when left open

Sense In-Column Dual Zone Wine Cabinet

KEY FEATURES

- No-frost compressor cooling technology maintains a consistent temperature
- Dual stacked temperature zones, independently controlled [upper zone white wine, lower zone red wine]
- Touch controls and LED display
- UV/heat-free white LED lighting [switchable]
- Vibration free
- Black glass door with gloss black door frame
- Stainless steel square handle
- Beech shelves



CAPACITY

- 4.13 Cu ft/117.1 Litre total net capacity
- 4.94 Cu ft/140.1 Litre total gross capacity
- Stores max. 41 Bordeaux style wine bottles 750ml [18 white bottles on upper zone, and 23 red bottles on lower zone]
- Bottle stacking diagrams available at caple.co.uk



Classic In-Column Dual Zone Wine Cabinet


KEY FEATURES

- No-frost compressor cooling technology maintains a consistent temperature
- Dual stacked temperature zones, independently controlled [upper zone white wine, lower zone red wine]
- Touch controls and LED display
- UV/heat-free white LED lighting [switchable]
- Vibration free
- One piece stainless steel door
- Stainless steel square handle
- Beech shelves


PRODUCT CODE

WC6510


DIMENSIONS

 h:886mm

FINISH AVAILABLE

 Stainless Steel

PERFORMANCE

-  - Energy Class B
- Energy consumption 198kWh/yr
 - Ambient temperature 16°C-32°C
 - Temperature range upper zone 5°C-10°C, lower zone 10°C-18°C
 - Humidity range >65%RH
 - Quiet operation 45dB[A]

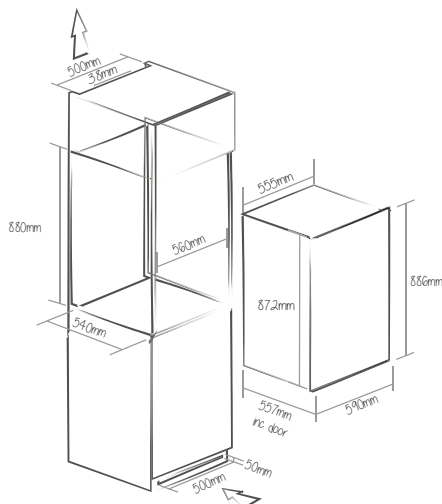
FEATURES

- Fan circulated cool air for even temperature distribution
- Heater raises internal temperature when external temperature drops
- Reversible door
- White wine zone has 3 sliding shelves
- 100% CFC/HFC free
- Red wine zone has 3 sliding shelves and 1 sliding base shelf
- Toughened UV protected glass door
- 2 Humidity control water tanks
- Black cabinet interior and exterior
- Audible door alarm when left open

CAPACITY

- 4.13 Cu ft/117.1 Litre total net capacity
- 4.94 Cu ft/140.1 Litre total gross capacity
- Stores max. 41 Bordeaux style wine bottles 750ml [18 white bottles on upper zone, and 23 red bottles on lower zone]

Bottle stacking diagrams available at caple.co.uk



Classic In-Column Single Zone Wine Cabinet

KEY FEATURES


- No-frost compressor cooling technology maintains a consistent temperature
- Single temperature zone for red or white wine
- Touch control and LED display
- UV/heat-free white LED lighting [switchable]
- Vibration free
- One piece stainless steel door
- Black cabinet interior and exterior
- Stainless steel square handle
- Beech shelves

38
39


PRODUCT CODE

WC6500


DIMENSIONS

 h:886mm

FINISH AVAILABLE

 Stainless Steel

PERFORMANCE

-  - Energy Class A
- Energy consumption 146kWh/yr
 - Ambient temperature 16°C-32°C
 - Temperature range 5°C-18°C
 - Humidity range >65%RH
 - Quiet operation 45dB[A]

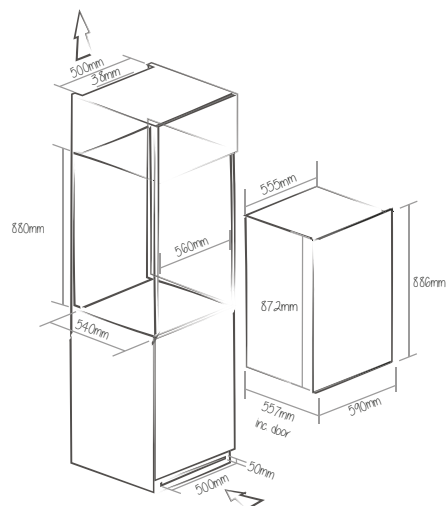
FEATURES

- Fan circulated cool air for even temperature distribution
- Reversible door
- 7 Sliding shelves and 1 base shelf
- 100% CFC/HFC free
- Toughened UV protected glass door
- 1 Humidity control water tank
- Audible door alarm when left open

CAPACITY

- 4.38 Cu ft/124 Litre total net capacity
- 5.41 Cu ft/153 Litre total gross capacity
- Stores max. 47 Bordeaux style wine bottles 750ml

Bottle stacking diagrams available at cagle.co.uk



Sense In-Column Single Zone Wine Cabinet

KEY FEATURES

- No-frost compressor cooling technology maintains a consistent temperature
- Single temperature zone for red or white wine
- Touch control and LED display
- UV/heat-free white LED lighting [switchable]
- Vibration free
- Black glass door with gloss black door frame
- Stainless steel square handle
- Beech shelves



PRODUCT CODE

WC6410

DIMENSIONS

h:455mm

FINISH AVAILABLE

Black Glass

PERFORMANCE

- Energy Class A
- Energy consumption 139kWh/yr
- Ambient temperature 16°C-32°C
- Temperature range 5°C-18°C
- Humidity range >65%RH
- Quiet operation 43dB[A]

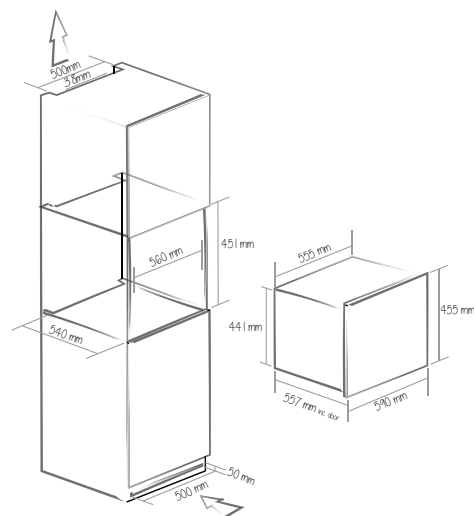
FEATURES

- Fan circulated cool air for even temperature distribution
- Reversible door
- 3 Sliding shelves and 1 base shelf
- 100% CFC/HFC free
- Toughened UV protected glass door
- 1 Humidity control water tank
- Audible door alarm when left open

CAPACITY

- 1.91 Cu ft/54 Litre total net capacity
- 2.08 Cu ft/59 Litre total gross capacity
- Stores max. 21 Bordeaux style wine bottles 750ml

Bottle stacking diagrams available at caple.co.uk



Classic In-Column Single Zone Wine Cabinet

KEY FEATURES

- No-frost compressor cooling technology maintains a consistent temperature
- Single temperature zone for red or white wine
- Touch control and LED display
- UV/heat-free white LED lighting [switchable]
- Vibration free
- One piece stainless steel door
- Stainless steel square handle
- Beech shelves



PRODUCT CODE

WC6400

DIMENSIONS

h:455mm

FINISH AVAILABLE

Stainless Steel

PERFORMANCE

- Energy Class A
- Energy consumption 139kWh/yr
- Ambient temperature 16°C-32°C
- Temperature range 5°C-18°C
- Humidity range >65%RH
- Quiet operation 45dB[A]

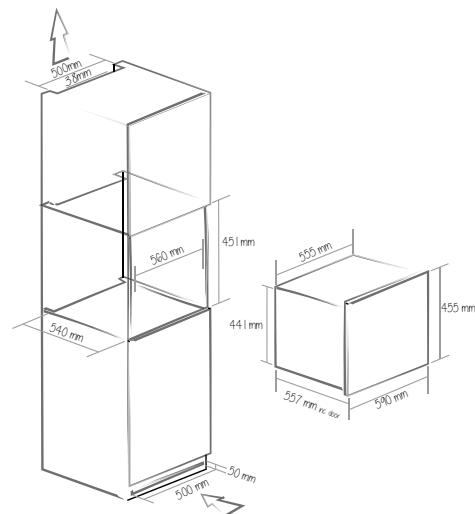
FEATURES

- Fan circulated cool air for even temperature distribution
- Reversible door
- 3 Sliding shelves and 1 base shelf
- 100% CFC/HFC free
- Toughened UV protected glass door
- 1 Humidity control water tank
- Audible door alarm when left open

CAPACITY

- 1.91 Cu ft/54 Litre total net capacity
- 2.08 Cu ft/59 Litre total gross capacity
- Stores max. 21 Bordeaux style wine bottles 750ml

Bottle stacking diagrams available at caple.co.uk



FREESTANDING WINE CABINETS







Sense Freestanding Triple Zone Wine Cabinet

KEY FEATURES

- No-frost compressor cooling technology maintains a consistent temperature
- Triple stacked temperature zones for red, white or sparkling wine, independently controlled
- Electronic temperature control and LED display
- UV/heat-free white LED lighting [switchable]
- Vibration free
- Black glass door with gloss black door frame
- Stainless steel, black-spot feature bar handle
- Telescopic shelves

PRODUCT CODE

WF1549

DIMENSIONS

↑↓ h:1762mm

FINISH AVAILABLE

■ Black Glass

PERFORMANCE

- Energy Class C
- Energy consumption 290kWh/yr
- Ambient temperature 16°C-32°C
- Temperature range upper zone 5°C-18°C, middle zone 5°C-12°C, lower zone 12°C-18°C
- Humidity range >65%RH
- Quiet operation 45dB[A]

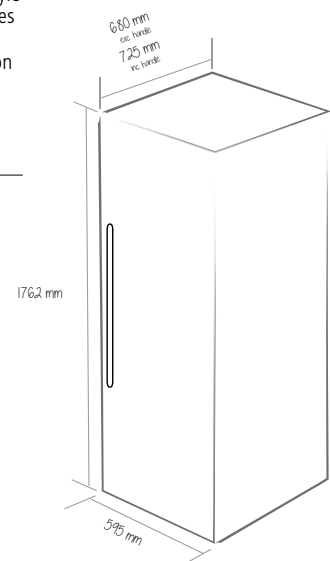
FEATURES

- Fan circulated cool air for even temperature distribution
- 2 Heaters raise internal temperature when external temperature drops
- Reversible door
- Upper zone has 1 sliding shelf and 1 display shelf
- Middle zone has 2 sliding shelves and 1 display shelf
- Lower zone has 3 sliding shelves and 1 base shelf
- 100% CFC/HFC free
- Toughened UV protected glass door
- 3 Humidity control water tanks
- Door lock
- Black cabinet interior and exterior
- Air ventilation through plinth grille

CAPACITY

- 14.23 Cu ft/404 Litre total net capacity
- 15.86 Cu ft/449 Litre total gross capacity
- Stores max. 132 Bordeaux style wine bottles 750ml [43 bottles on upper zone, 45 bottles on middle zone and 44 bottles on lower zone]

Bottle stacking diagrams available at caple.co.uk





Classic Freestanding Triple Zone Wine Cabinet

KEY FEATURES

- No-frost compressor cooling technology maintains a consistent temperature
- Triple stacked temperature zones for red, white or sparkling wine, independently controlled
- Electronic temperature control and LED display
- UV/heat-free white LED lighting [switchable]
- Vibration free
- One piece stainless steel door
- Curved stainless steel handle
- Stainless steel fronted telescopic beech shelves

PRODUCT CODE

WF1548

DIMENSIONS

h: 1762mm

FINISH AVAILABLE

Stainless Steel

PERFORMANCE

- Energy Class C
- Energy consumption 290kWh/yr
- Ambient temperature 16°C-32°C
- Temperature range upper zone 5°C-18°C, middle zone 5°C-12°C, lower zone 12°C-18°C
- Humidity range >65%RH
- Quiet operation 45dB[A]

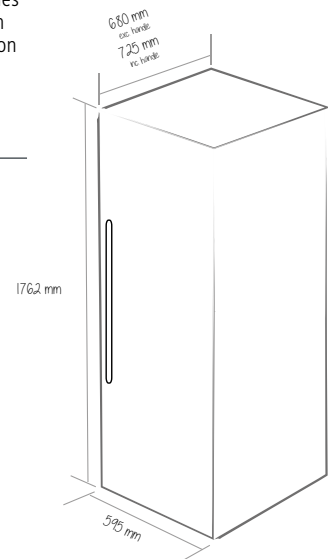
FEATURES

- Fan circulated cool air for even temperature distribution
- 2 Heaters raise internal temperature when external temperature drops
- Reversible door
- Upper zone has 1 sliding shelf and 1 display shelf
- Middle zone has 2 sliding shelves and 1 display shelf
- Lower zone has 3 sliding shelves and 1 base shelf
- 100% CFC/HFC free
- Toughened UV protected glass door
- 3 Humidity control water tanks
- Door lock
- Black cabinet interior and exterior
- Air ventilation through stainless steel plinth grille

CAPACITY

- 14.23 Cu ft/404 Litre total net capacity
- 15.86 Cu ft/449 Litre total gross capacity
- Stores max. 132 Bordeaux style wine bottles 750ml [43 bottles on upper zone, 45 bottles on middle zone and 44 bottles on lower zone]

Bottle stacking diagrams available at cagle.co.uk





Classic Freestanding Single Zone Wine Cabinet

KEY FEATURES

- No-frost compressor cooling technology maintains a consistent temperature
- Single temperature zone for red or white wine
- Electronic temperature control and LED display
- One piece stainless steel door
- Curved stainless steel handle
- Stainless steel fronted telescopic beech shelves

PRODUCT CODE

WF333

DIMENSIONS

h:840mm

FINISH AVAILABLE

Stainless Steel

PERFORMANCE

- Energy Class A
- Energy consumption 144kWh/yr
- Temperature range 5°C-18°C
- Ambient temperature 16°C-32°C
- Humidity range >65%RH
- Quiet operation 44dB[A]

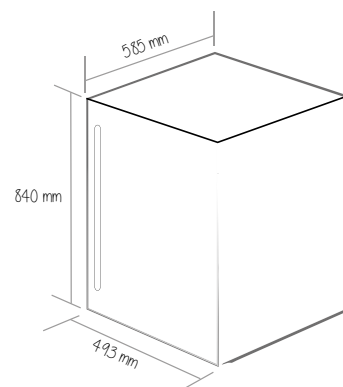
FEATURES

- 3 Full shelves and 1 half shelf
- 100% CFC/HFC free
- Toughened UV protected glass door
- 1 Humidity control water tank
- Black cabinet interior and exterior
- Interior light reversible door
- Top and side heat dispersion

CAPACITY

- 4.39 Cu ft/124 Litre total net capacity
- 4.87 Cu ft/138 Litre total gross capacity
- Stores max. 39 Bordeaux style wine bottles 750ml [6 bottles on top shelf, 12 bottles double stacked on middle two shelves, and 9 bottles double stacked on the bottom shelf]

Bottle stacking diagrams available at caple.co.uk





CAPLE CARE



All Caple appliances come with a 2 year parts and labour guarantee.
You can extend this to provide a full **5 years** parts and labour warranty.

THE BENEFITS OF TAKING OUT AN EXTENDED WARRANTY

The Caple protection plan has been carefully put together so customers who take out the extended cover benefit from:

5

Up to 5 years parts and labour warranty against breakdown



A nationwide network of Caple approved engineers to undertake repairs in the home

£

Spread the cost over 10 months with our monthly payment plan visit www.worldpay.com for full T&Cs



A replacement appliance should the repair of the original be uneconomic or impossible



Access to the Caple UK based contact centre

HERE'S HOW MUCH IT COSTS FOR 5 YEARS COVER

[Which includes the 2 year manufacturers guarantee], either by a one off payment or payment plan.

CAPLE REPAIR PLAN COSTS		
	PAYMENT PLAN	ONE OFF PAYMENT
Wine cabinet	£80.00	£70.00

To register your free 2 year guarantee or discuss an extended warranty, call

0330 123 0998

Calls are charged at the local rate— please check with your provider for actual charges.

Register ✓
my appliance

TO REGISTER YOUR WINE CABINET WITH A FREE 2 YEAR GUARANTEE VISIT CAPLE.CO.UK *Subject to terms and conditions*



Issue: CA0118

Every effort has been made to reproduce colours and materials accurately, however due to the photography and print processes, colour variations may occur.

Due to our continued product development policy, we reserve the right to modify product specifications and/or dimensions without notice.

Please contact your retailer, call Caple direct on 0117 938 1900, email info@caple.co.uk, or visit our website at www.caple.co.uk for further product information.

E & O E



Fourth Way
Avonmouth
Bristol
BS11 8DW

t: 0117 938 1900
f: 0800 373 163
e: sales@caple.co.uk
caple.co.uk



CapleUK



caple



capleuk

design.living

Issue: CA0118

